

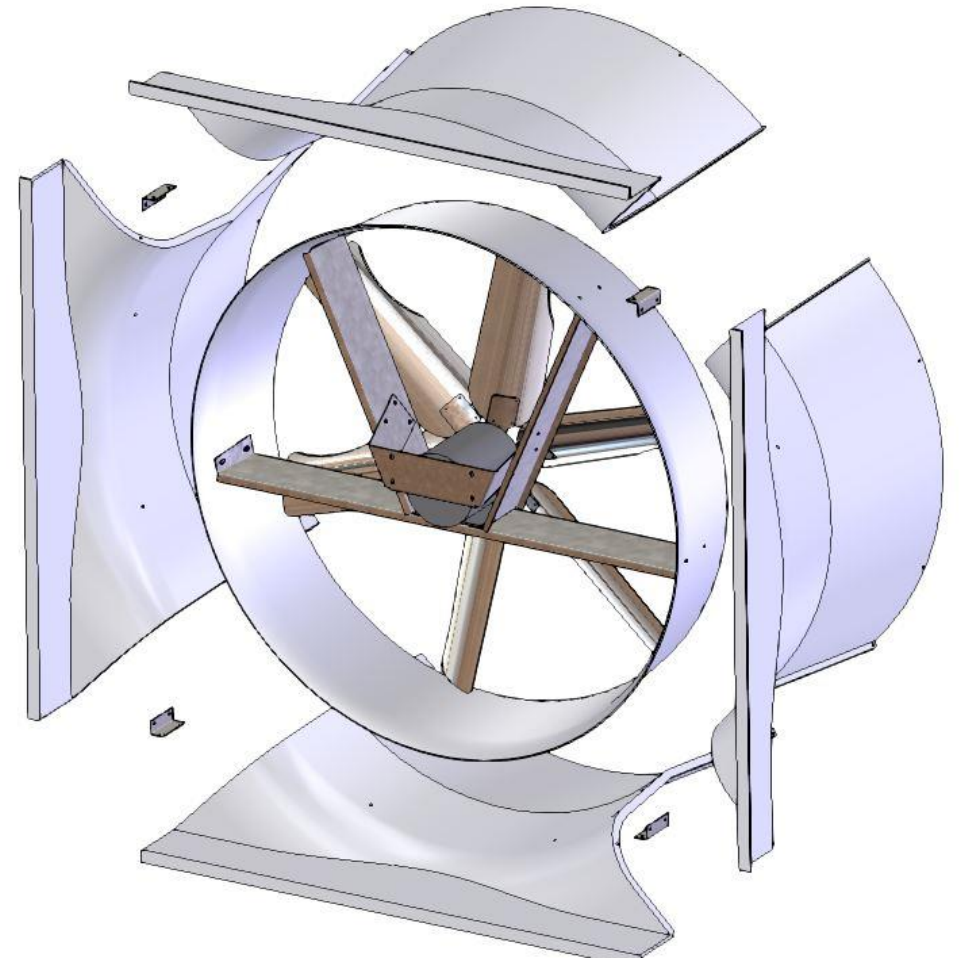
Venturi Fan System

Patent Pending

TOM★BOY

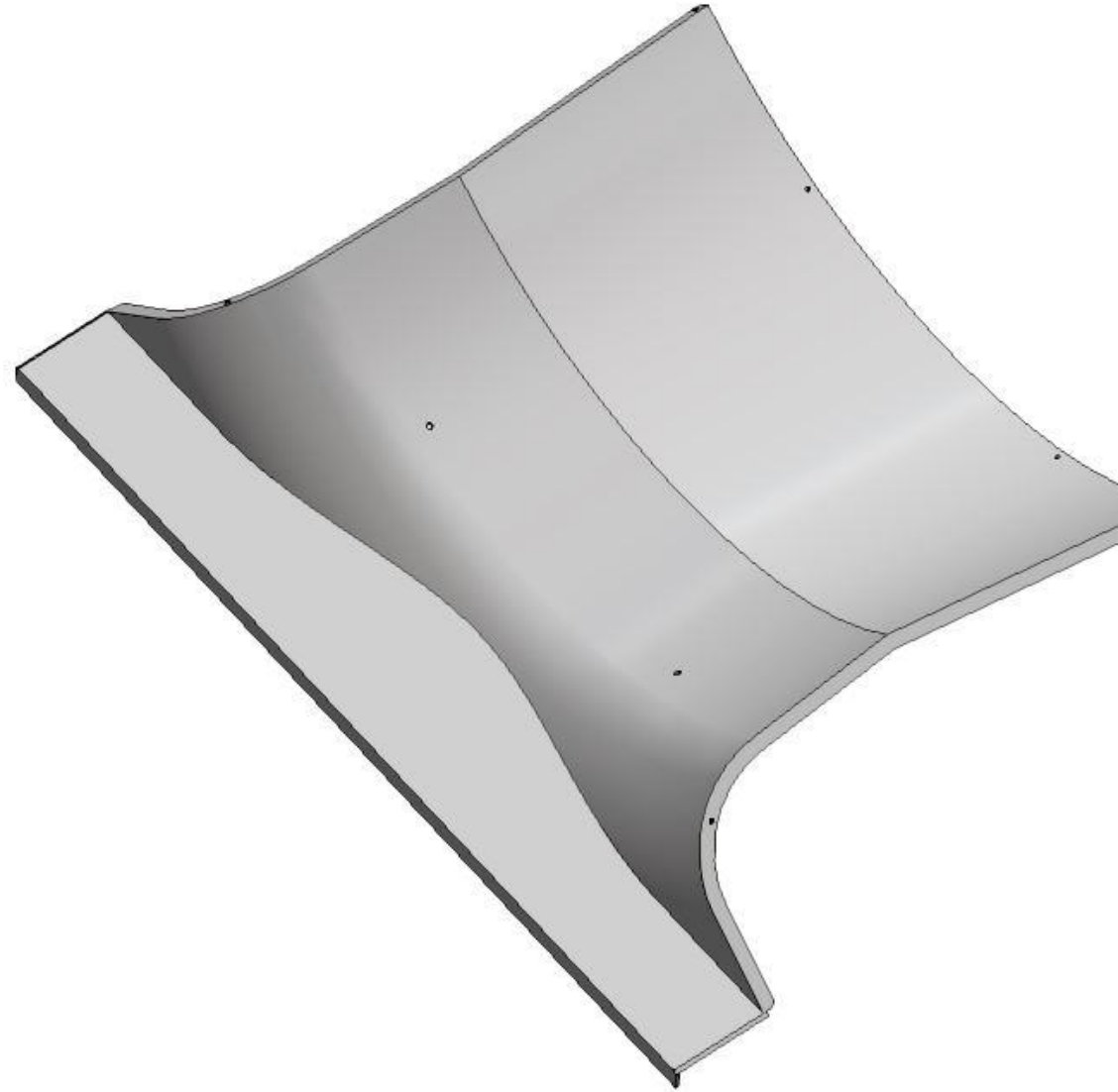
Tom-Boy Venturi System

- Circulator fan that can be converted to ventilator fan with wall housing kit
- Wall housing with integral cone
- Vacuum thermoformed HDPE housing panels



Design Advantages

- Stack easily for condensed shipping
- Faster manufacturing than fiberglass
- Eco-friendly - Recyclable
- Separate exit cone not required
- Impact and UV resistant
- Easy assembly and installation



Performance

- Ideal inlet radius of 14% diameter
- Ideal exit cone geometry
- Exit cone length extends <36in from outside wall to fit under barn overhang and protect from snow damage

