

AERONOBLETM Polyurethane Air Inlet



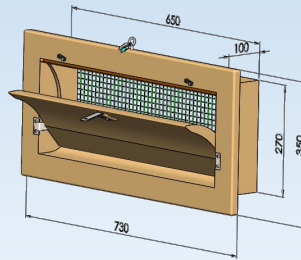
NA PACIFIC
INC



40% of NA Pacific is American owned and 60% is Canadian owned

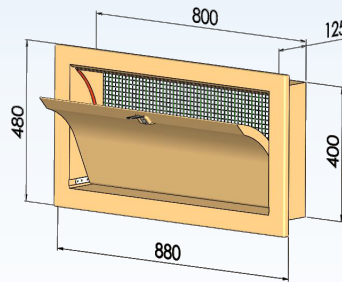
Our Corporate office is located in Drummondville, Quebec, Canada

NA056-AS



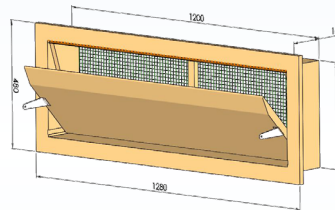
1

NA008-AS



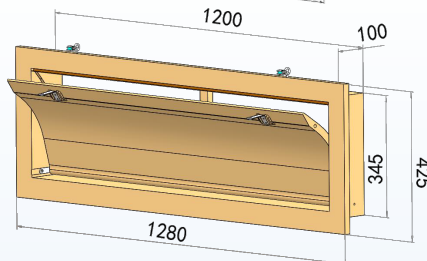
2

NA30021-AS



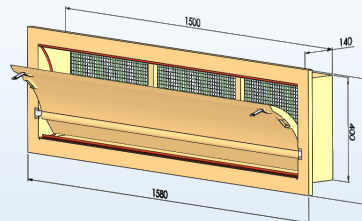
3

NA4J-0021-AS



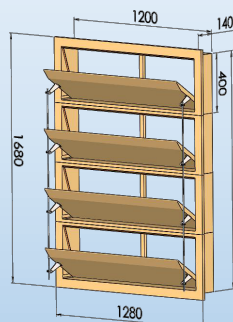
4

NA50051-AS



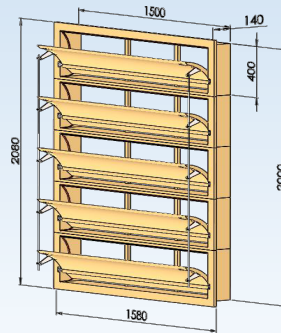
5

NA0012-AT



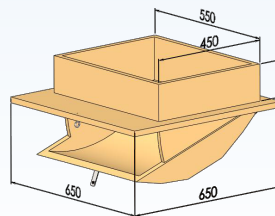
6

NA0051-AT



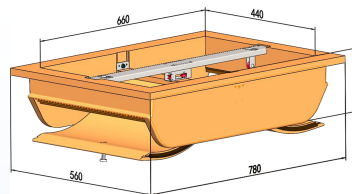
7

NA0055-AC



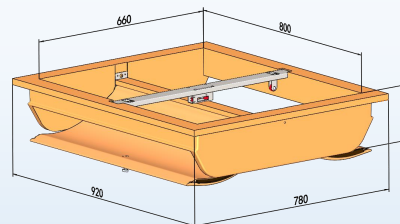
8

NAD-084-AC



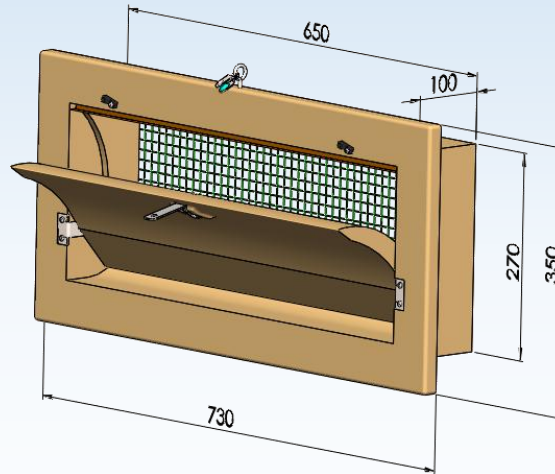
9

NAD-048-AC



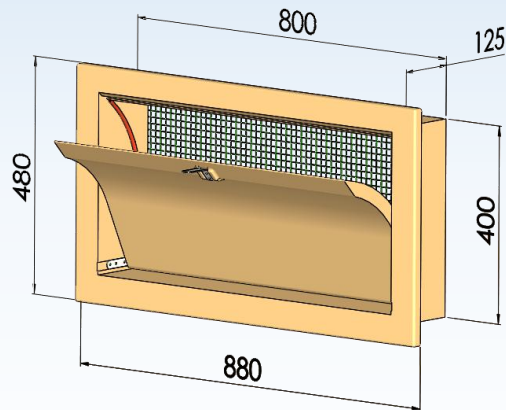
10

NA056-AS



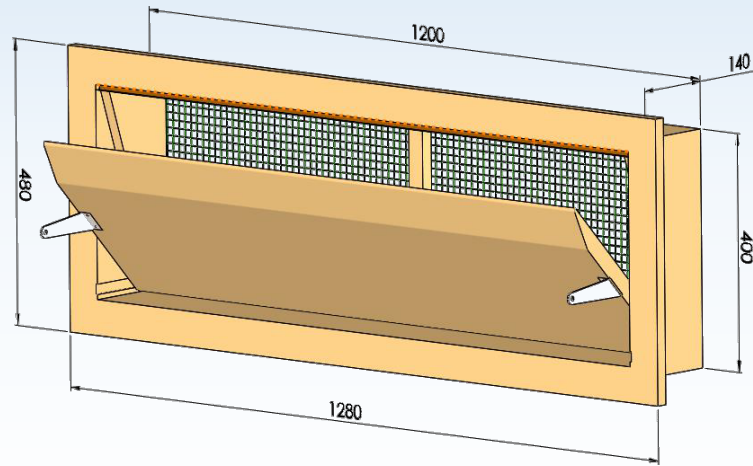
10pa	1450m ³ /h
20pa	1980m ³ /h
25pa	2150m ³ /h
Material	Polyurethane(PU)
Thermal insulation coefficient	0.022 W(m.k)
Installation size	650mm*270mm
Recommended hole size	660mm*280mm

NA008-AS



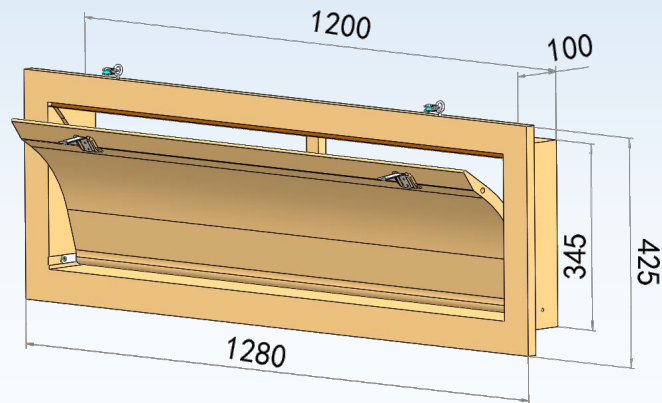
10pa	2050m ³ /h
20pa	3536m ³ /h
25pa	4265m ³ /h
Material	Polyurethane(PU)
Thermal insulation coefficient	0.022 W(m.k)
Rough Opening	800mm*400mm
Recommended hole size	810mm*410mm

NA30021-AS



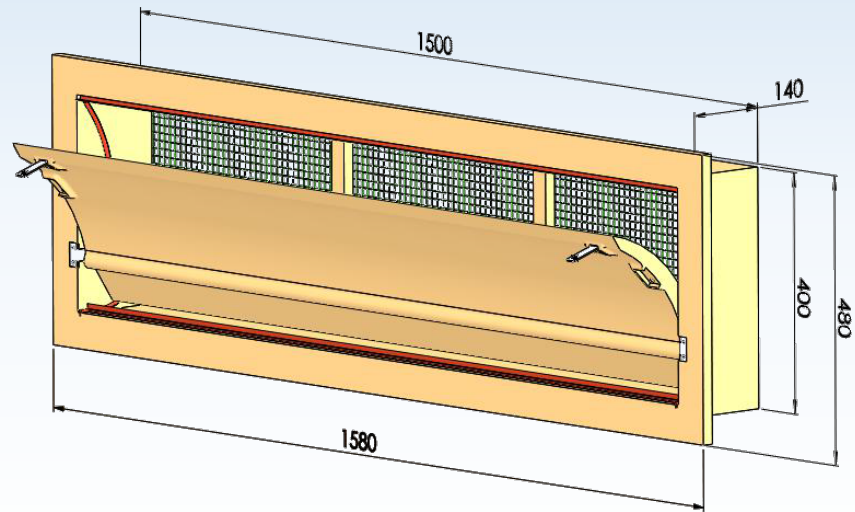
10pa	3850m ³ /h
20pa	5381m ³ /h
25pa	6532m ³ /h
Material	Polyurethane(PU)
Thermal insulation coefficient	0.022 W(m.k)
Rough Opening	1200mm*400mm
Recommended hole size	1210mm*410mm

NA4J-0021-AS



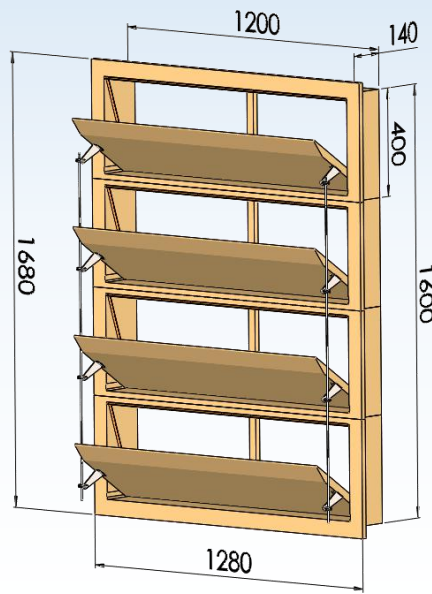
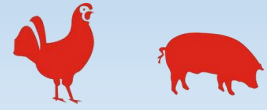
10pa	3320m ³ /h
20pa	4641m ³ /h
25pa	5633m ³ /h
Material	Polyurethane(PU)
Thermal insulation coefficient	0.022 W(m.k)
Rough Opening	1200mm*345mm
Recommended hole size	1210mm*355mm

NA50051-AS

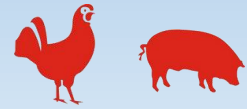


10pa	5800m ³ /h
20pa	7860m ³ /h
25pa	8750m ³ /h
Material	Polyurethane(PU)
Thermal insulation coefficient	0.022 W(m.k)
Rough Opening	1500mm*400mm
Recommended hole size	1510mm*410mm

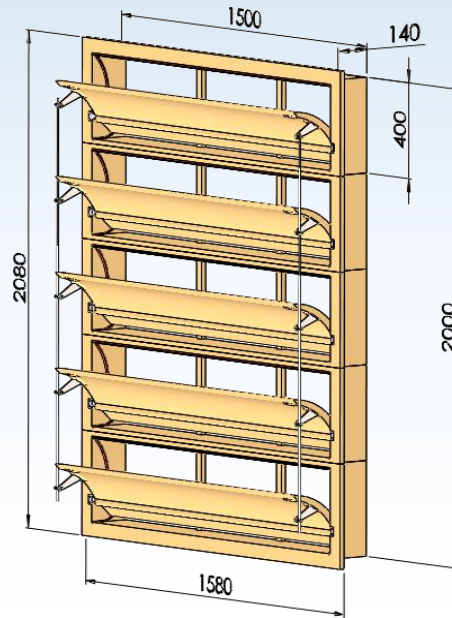
NA0012-AT



Number of layer	Rough Opening (mm)	Recommended hole size	Ventilation volume (10 pa)	Ventilation volume (20 pa)	Ventilation volume (25pa)
1	1200*400	1210*410	3,850 m ³ /h	5,381 m ³ /h	6,532 m ³ /h
2	1200*800	1210*810	7,700 m ³ /h	10,762 m ³ /h	13,064 m ³ /h
3	1200*1200	1210*1210	11,550 m ³ /h	16,143 m ³ /h	19,596 m ³ /h
4	1200*1600	1210*1610	15,400 m ³ /h	21,524 m ³ /h	26,128 m ³ /h
5	1200*2000	1210*2010	19,250 m ³ /h	26,905 m ³ /h	32,660 m ³ /h

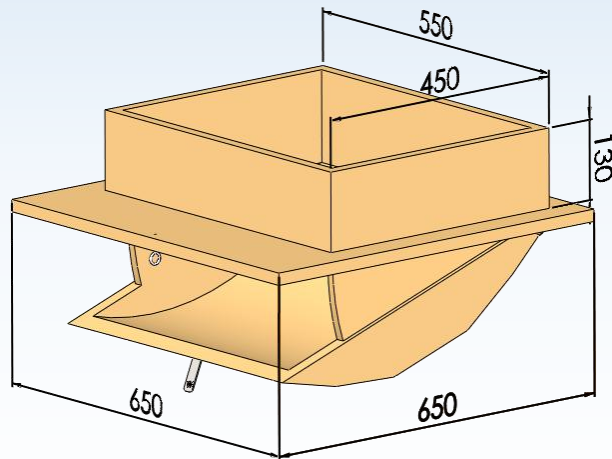


NA0051-AT



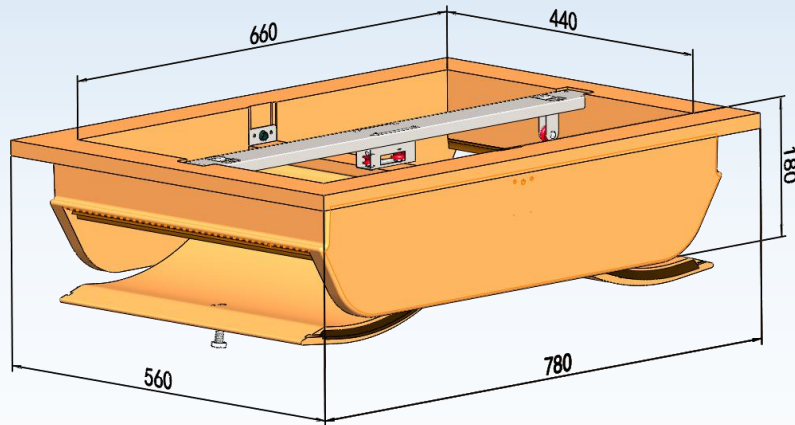
Number of layer	Rough Opening (mm)	Recommen- ded hole size	Ventilation volume (10 pa)	Ventilation volume (20 pa)	Ventilation volume (25pa)
1	1500*400	1510*410	5,800 m ³ /h	7,860 m ³ /h	8,750 m ³ /h
2	1500*800	1510*810	11,600 m ³ /h	15,720 m ³ /h	17,500 m ³ /h
3	1500*1200	1510*1210	17,400 m ³ /h	23,580 m ³ /h	26,250 m ³ /h
4	1500*1600	1510*1610	23,200 m ³ /h	31,440 m ³ /h	35,000 m ³ /h
5	1500*2000	1510*2010	29,000 m ³ /h	39,300 m ³ /h	43,750m ³ /h

NA0055-AC



10pa	1823m ³ /h
20pa	2586m ³ /h
25pa	3060m ³ /h
Material	Polyurethane(PU)
Thermal insulation coefficient	0.022 W(m.k)
Rough Opening	550mm*450mm
Recommended hole size	560mm*460mm

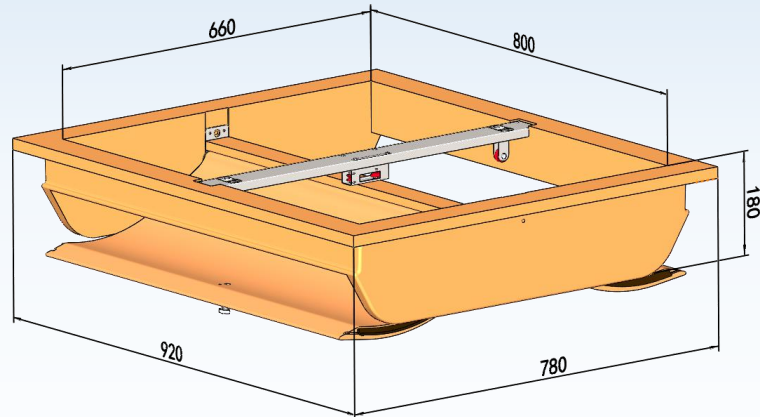
NAD-084-AC



10pa	1539m ³ /h
20pa	2162m ³ /h
25pa	2614m ³ /h
Material	Polyurethane(PU)
Thermal insulation coefficient	0.022 W(m.k)
Rough Opening	480mm*700mm
Recommended hole size	490mm*710mm

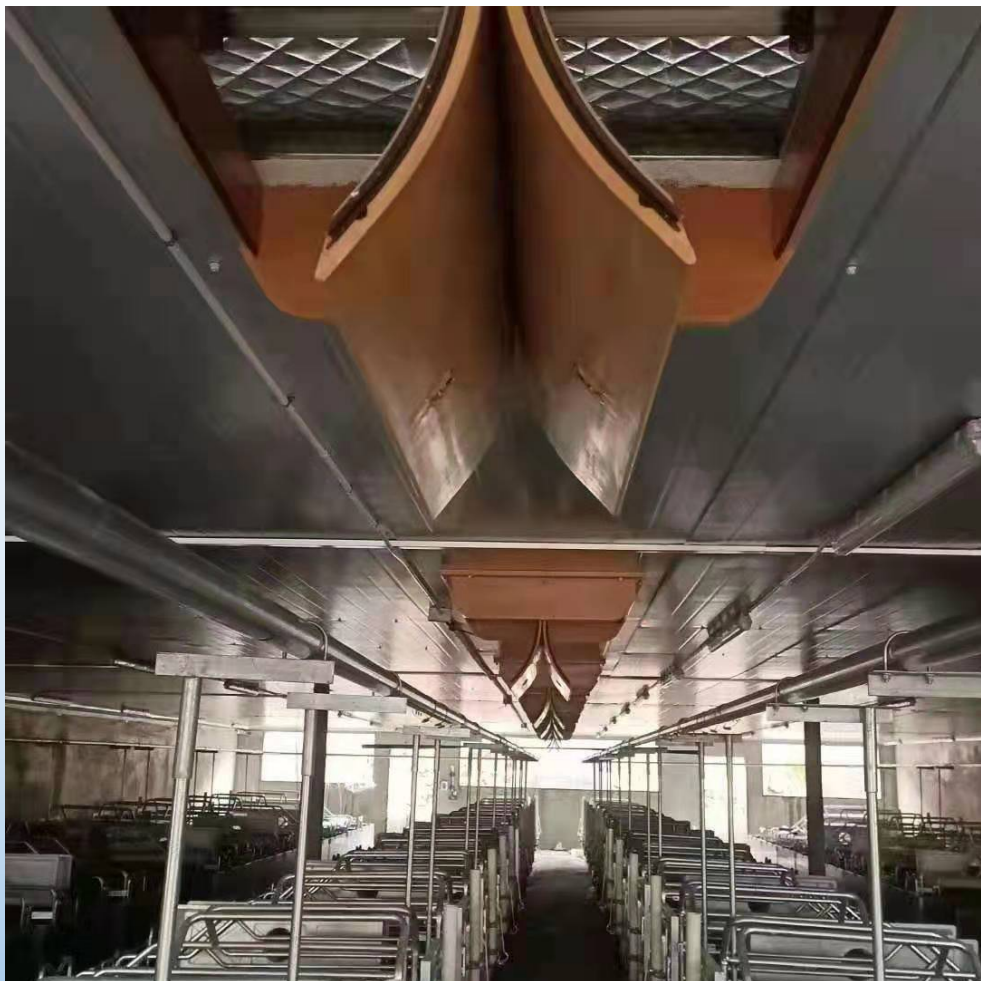


NAD-048-AC



10pa	3078m ³ /h
20pa	4324m ³ /h
25pa	5227m ³ /h
Material	Polyurethane(PU)
Thermal insulation coefficient	0.022 W(m.k)
Rough Opening	840mm*700mm
Recommended hole size	850mm*710mm











NA Pacific inc



1665 St-Joseph Blvd
Drummondville, QC, Canada
Tel: 514-587-6740
info@napacific.com
www.napacific.com
NA Pacific ©

AERONOBLE™



128 Haibin avenue,
Chikan district, Zhanjian, China
Tel:+86-0759-3615380
Mob:+86-136-9420-5865
victoria@noblegz.com
www.mfgnoble.com