

AERONOBLETM Polyurethane Air Inlet



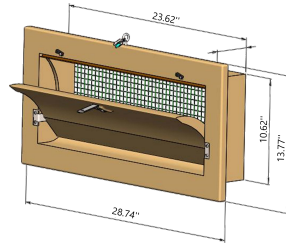
NA PACIFIC
INC



40% of NA Pacific is American owned and 60% is Canadian owned

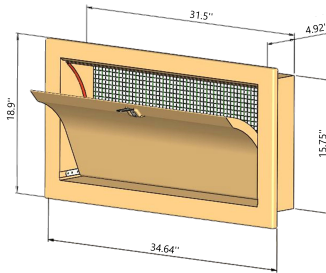
Our Corporate office is located in Drummondville, Quebec, Canada

NA056-AS



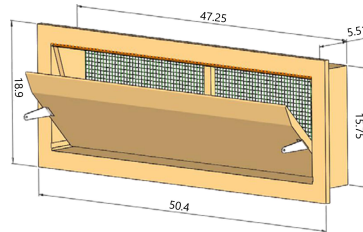
1

NA008-AS



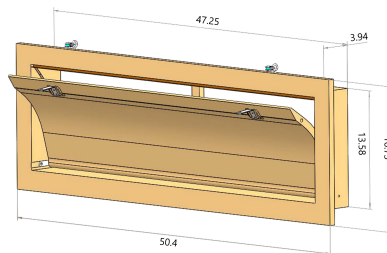
2

NA30021-AS



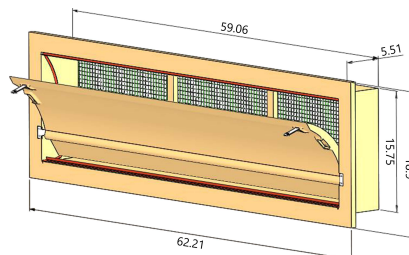
3

NA4J-0021-AS



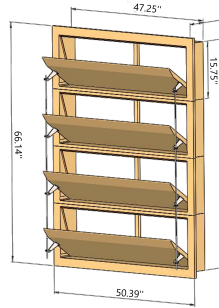
4

NA50051-AS



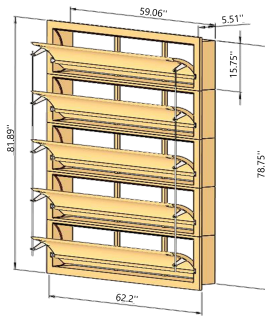
5

NA0012-AT



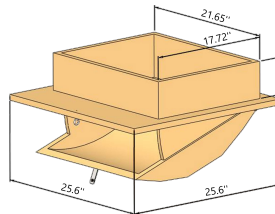
6

NA0051-AT



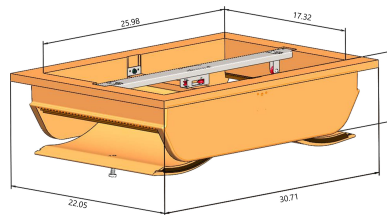
7

NA0055-AC



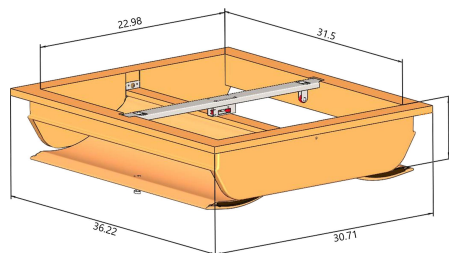
8

NAD-084-AC



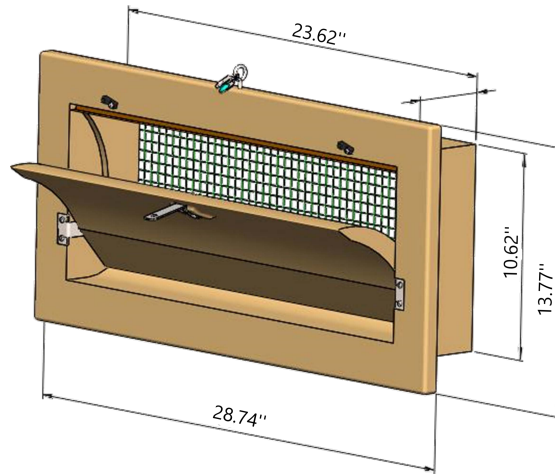
9

NAD-048-AC



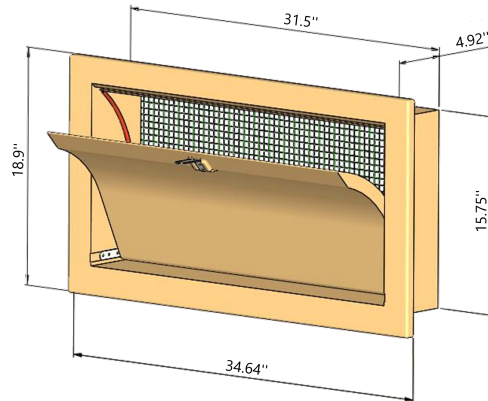
10

NA056-AS



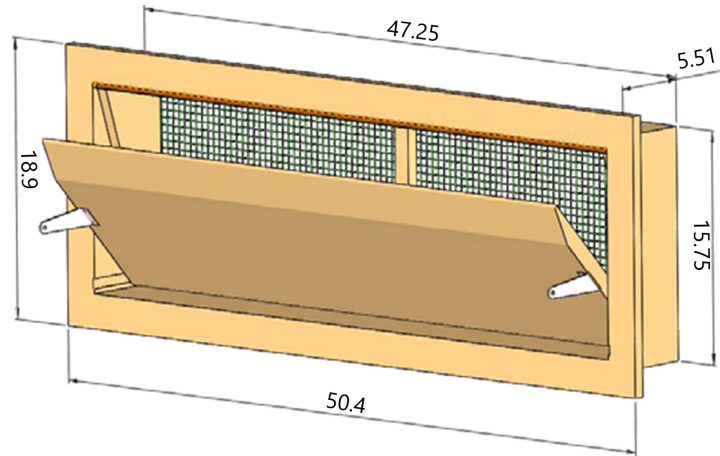
10pa	1450m ³ /h
20pa	1980m ³ /h
25pa	2150m ³ /h
Material	Polyurethane(PU)
Thermal insulation coefficient	0.022 W(m.k)
Installation size	25.59" x 10.63"
Recommended hole size	25.98" x 11.02"

NA008-AS



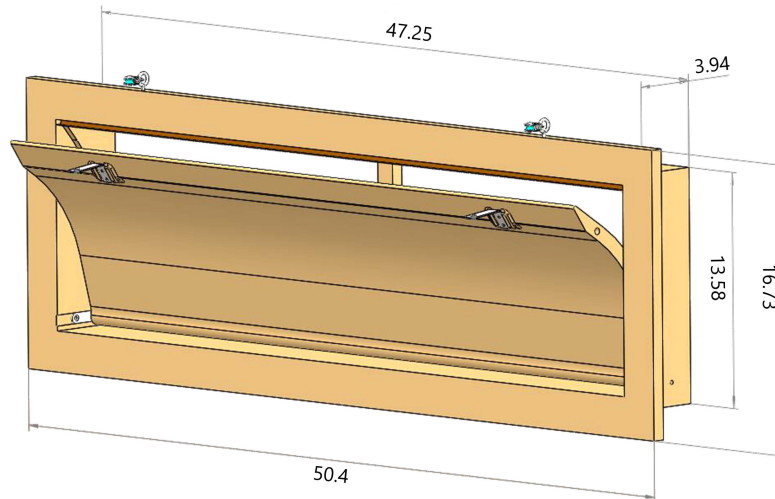
10pa	2050m ³ /h
20pa	3536m ³ /h
25pa	4265m ³ /h
Material	Polyurethane(PU)
Thermal insulation coefficient	0.022 W(m.k)
Rough Opening	31.50" x 15.75"
Recommended hole size	31.89" x 16.14"

NA30021-AS



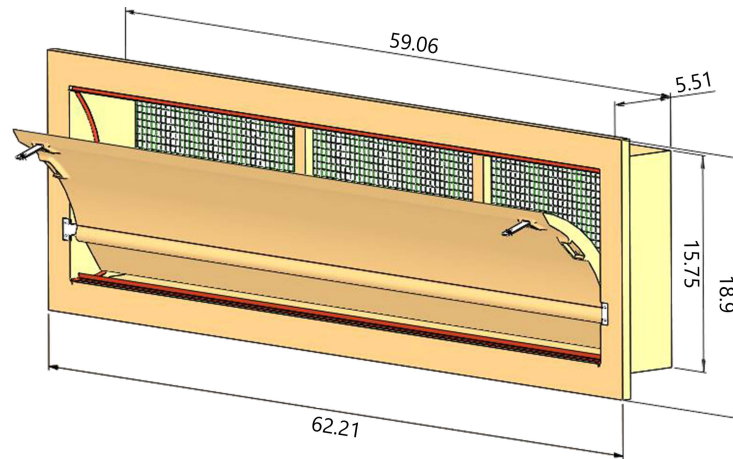
10pa	3850m ³ /h
20pa	5381m ³ /h
25pa	6532m ³ /h
Material	Polyurethane(PU)
Thermal insulation coefficient	0.022 W(m.k)
Rough Opening	47.25" x 15.75"
Recommended hole size	47.64" x 16.14"

NA4J-0021-AS



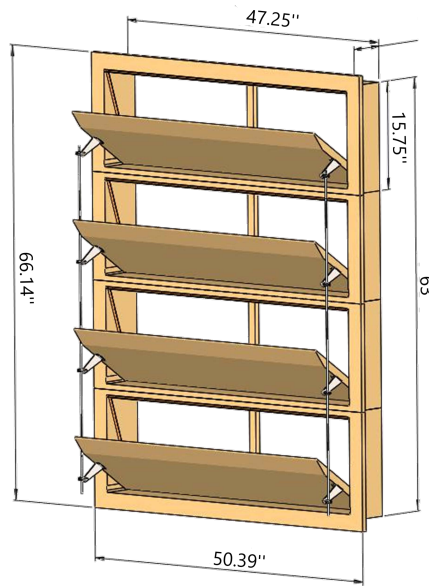
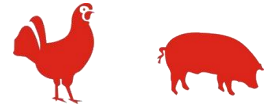
10pa	5800m ³ /h
20pa	7860m ³ /h
25pa	8750m ³ /h
Material	Polyurethane(PU)
Thermal insulation coefficient	0.022 W(m.k)
Rough Opening	59.06" x 15.75"
Recommended hole size	59.45" x 16.14"

NA50051-AS

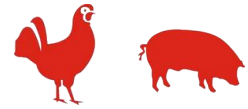


10pa	5800m ³ /h
20pa	7860m ³ /h
25pa	8750m ³ /h
Material	Polyurethane(PU)
Thermal insulation coefficient	0.022 W(m.k)
Rough Opening	59.06" x 15.75"
Recommended hole size	59.45" x 16.14"

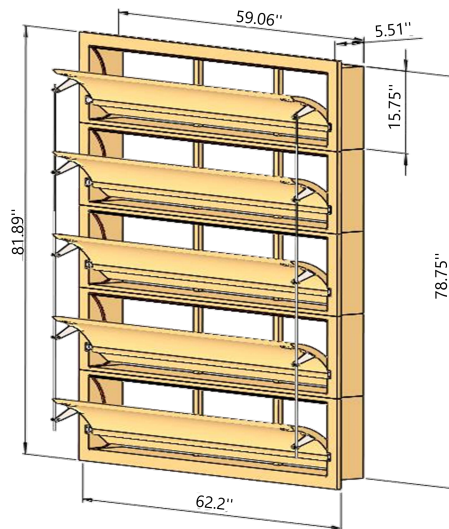
NA0012-AT



Number of layer	Rough Opening (inch)	Recommended hole size	Ventilation volume (10 pa)	Ventilation volume (20 pa)	Ventilation volume (25pa)
1	47.24" x 15.75"	47.64" x 16.14"	3,850 m ³ /h	5,381 m ³ /h	6,532 m ³ /h
2	47.24" x 31.50"	47.64" x 31.89"	7,700 m ³ /h	10,762 m ³ /h	13,064 m ³ /h
3	47.24" x 47.24"	47.64" x 47.64"	11,550 m ³ /h	16,143 m ³ /h	19,596 m ³ /h
4	47.24" x 63"	47.64" x 63.39"	15,400 m ³ /h	21,524 m ³ /h	26,128 m ³ /h
5	47.24" x 78.74"	47.64" x 79.13"	19,250 m ³ /h	26,905 m ³ /h	32,660 m ³ /h

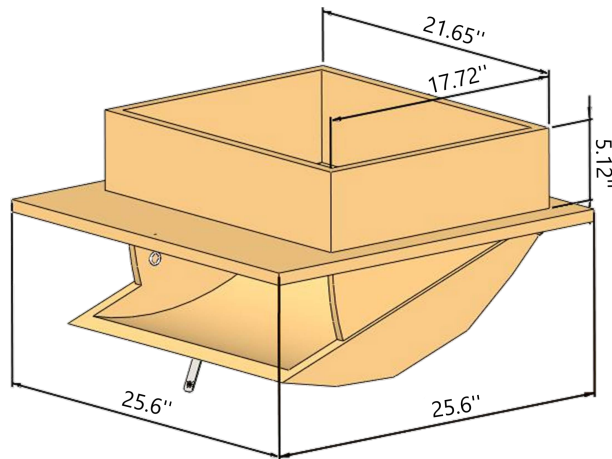


NA0051-AT



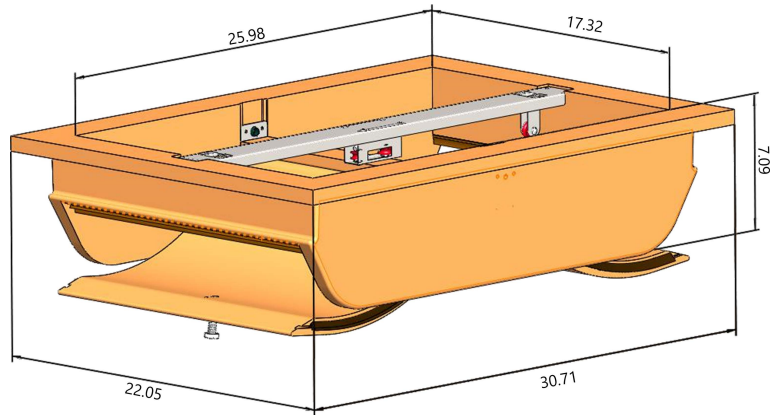
Number of layer	Rough Opening (inch)	Recommen- ded hole size	Ventilation volume (10 pa)	Ventilation volume (20 pa)	Ventilation volume (25pa)
1	59.06" x 15.75"	59.45" x 16.14"	5,800 m ³ /h	7,860 m ³ /h	8,750 m ³ /h
2	59.06" x 31.50"	59.45" x 31.89"	11,600 m ³ /h	15,720 m ³ /h	17,500 m ³ /h
3	59.06" x 47.24"	59.45" x 47.64"	17,400 m ³ /h	23,580 m ³ /h	26,250 m ³ /h
4	59.06" x 63"	59.45" x 63.39"	23,200 m ³ /h	31,440 m ³ /h	35,000 m ³ /h
5	59.06" x 78.74"	59.45" x 79.13"	29,000 m ³ /h	39,300 m ³ /h	43,750m ³ /h

NA0055-AC



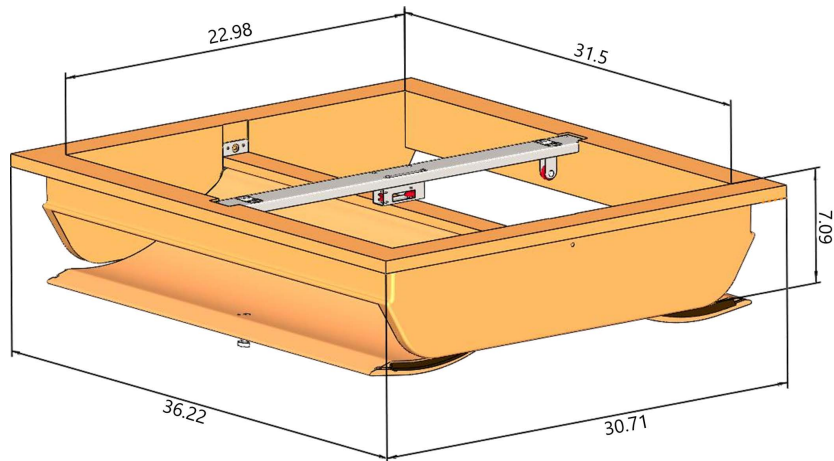
10pa	1823m ³ /h
20pa	2586m ³ /h
25pa	3060m ³ /h
Material	Polyurethane(PU)
Thermal insulation coefficient	0.022 W(m.k)
Rough Opening	21.65" x 17.72"
Recommended hole size	22.05" x 18.11"

NAD-084-AC



10pa	1539m ³ /h
20pa	2162m ³ /h
25pa	2614m ³ /h
Material	Polyurethane(PU)
Thermal insulation coefficient	0.022 W(m.k)
Rough Opening	18.9" x 27.56"
Recommended hole size	19.29" x 27.95"

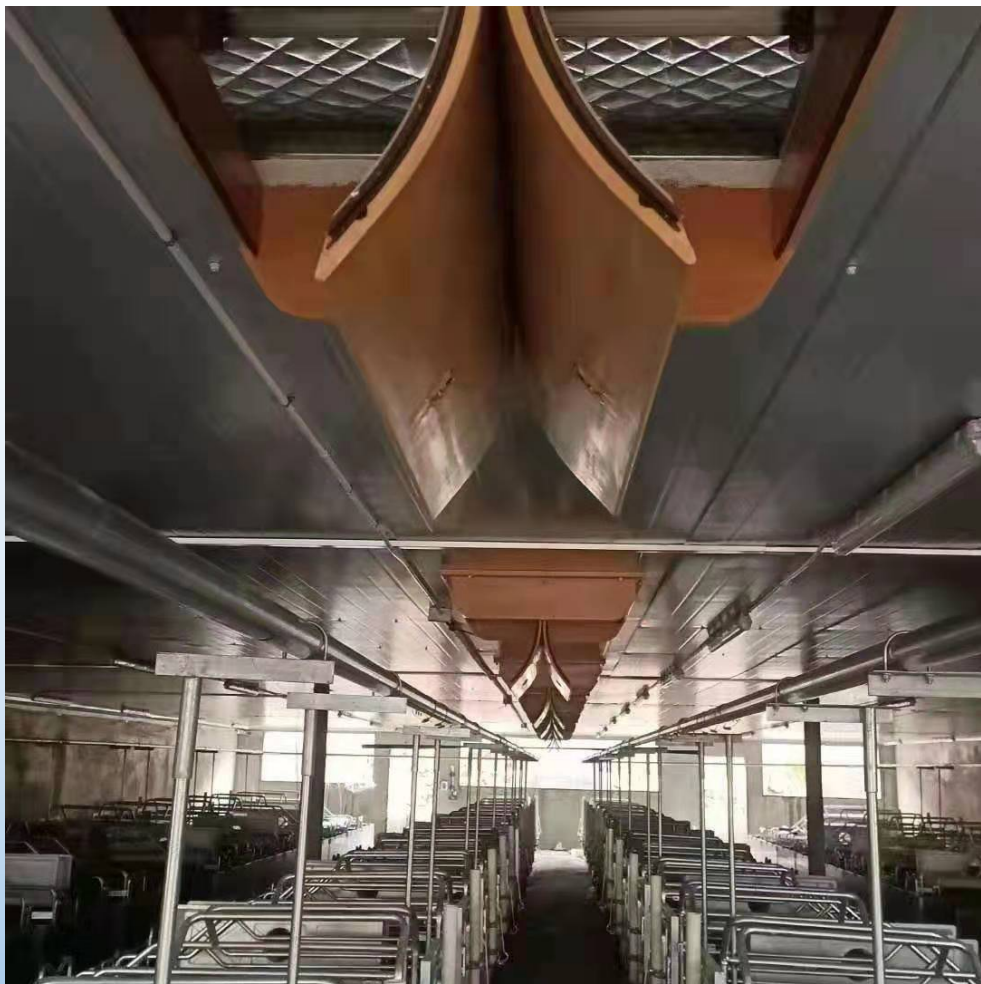
NAD-048-AC



10pa	3078m ³ /h
20pa	4324m ³ /h
25pa	5227m ³ /h
Material	Polyurethane(PU)
Thermal insulation coefficient	0.022 W(m.k)
Rough Opening	33.07" x 27.56"
Recommended hole size	33.46" x 27.95"













NA Pacific inc



1665 St-Joseph Blvd
Drummondville, QC, Canada
Tel: 514-587-6740
info@napacific.com
www.napacific.com
NA Pacific ©

AERONOBLE™



128 Haibin avenue,
Chikan district, Zhanjian, China
Tel:+86-0759-3615380
Mob:+86-136-9420-5865
victoria@noblegz.com
www.mfgnoble.com